

How to fit?

Roof window blinds

You should have: x1 Blind cassette



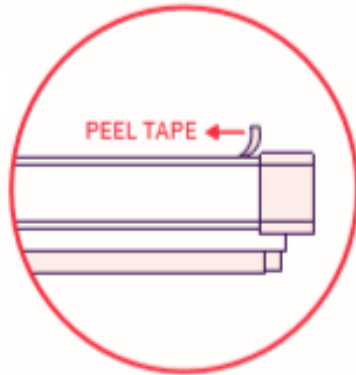
x2 side channels



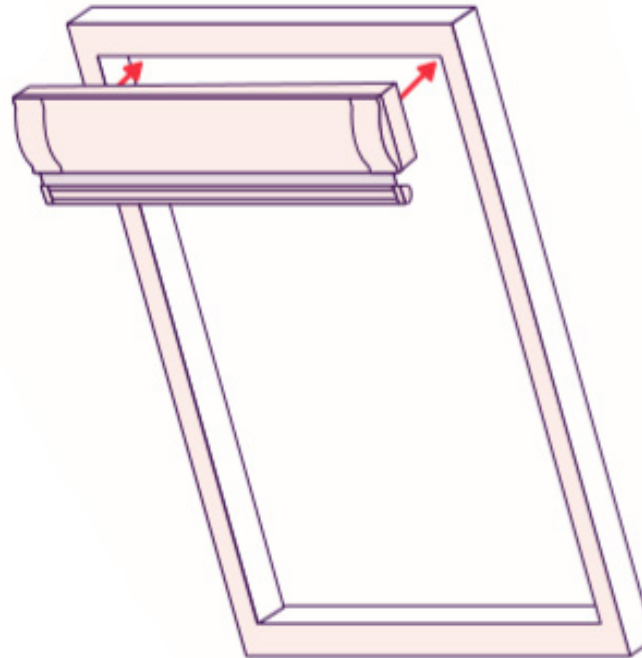
x Min 4 Wood screws only



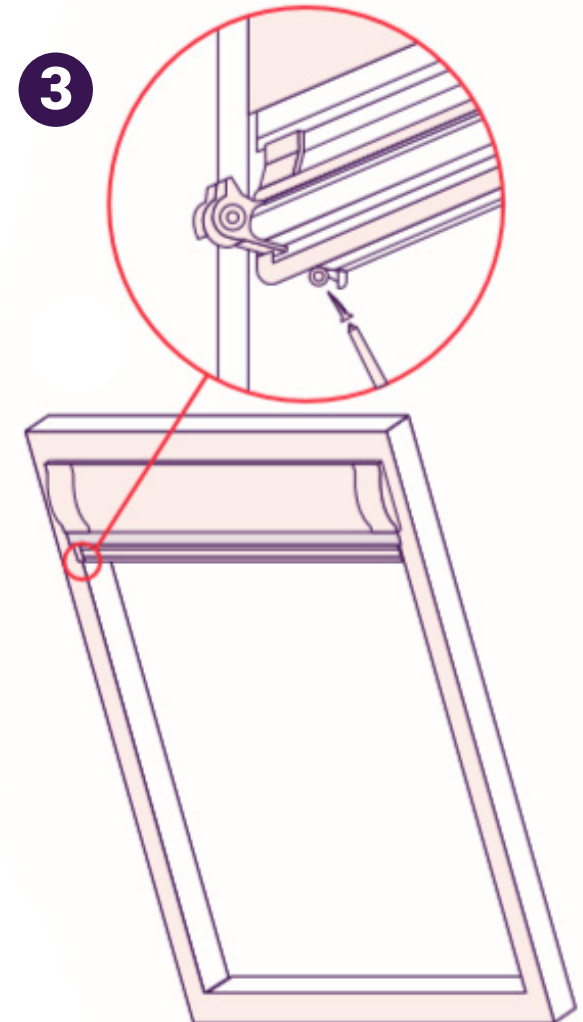
1



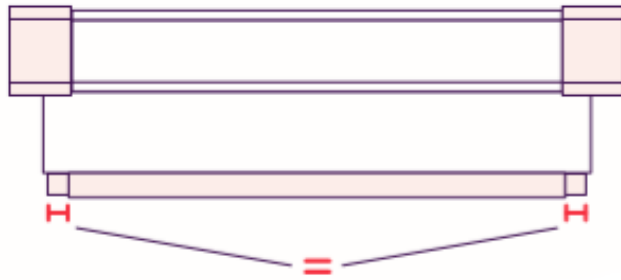
2



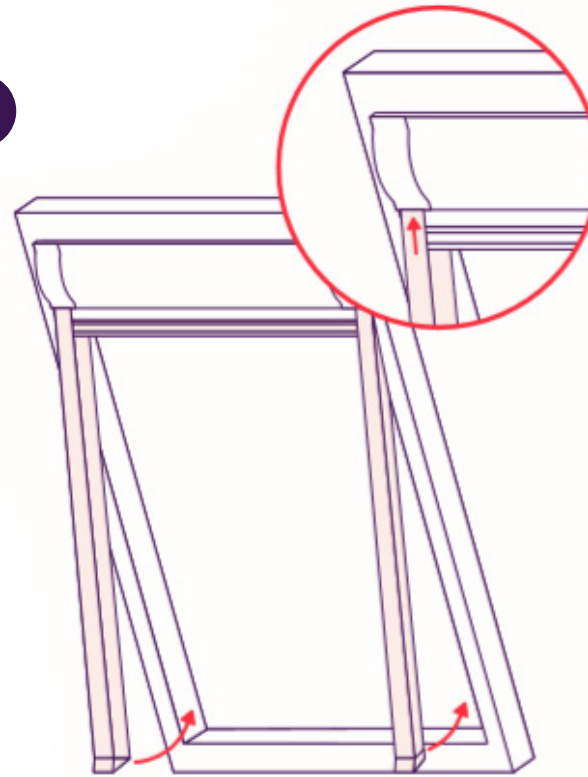
3



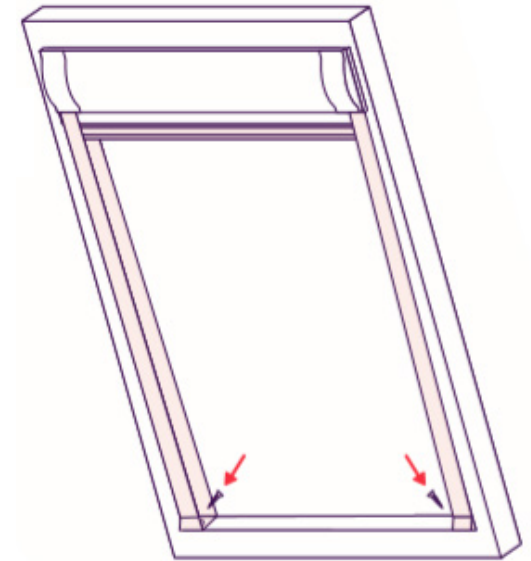
4



5



6



Operating your blind:

- To lower your blind, pull the handle downwards. The blind will hold at any position when you let go
- To raise the blind, gently push the handle back towards the glass and keep the handle in this position, this will release the lock and the blind will rise. Let go of the handle and the blind will stop rising

Safety tips:

- Keep all cords and chains out of children's reach.
- Move cots, beds and other furniture away from blinds