

HOW TO MEASURE?

For Angled Bay Windows

You will need:

- A tape measure
- A pencil and paper
- Cardboard and scissors

Step 1

Create cardboard cut-outs to use as measuring guides. The cut-out will be 30cm long by the depth of blind you have chosen plus any obstructions. For example when allowing 2cm for handles and choosing a standard Roman with 2.5cm headrail the measurement you'd create a cut-out that is 4.5cm by 30cm ($2+2.5=4.5$ cm).

Step 2

Place the cut outs in the left angle (between windows 'A' and 'B'), bring them together until the front corners of the cardboard meet and mark with a pencil points 'D' and 'E'.

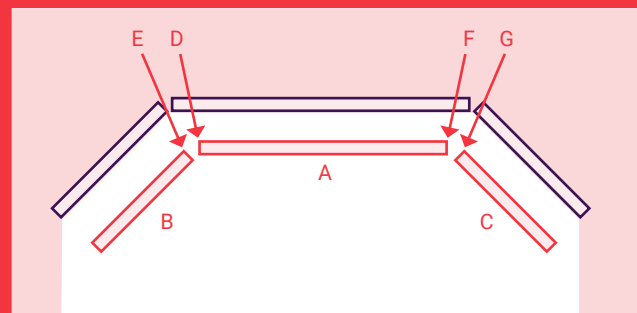
Step 3

Place the cut outs in the right angle (between windows 'A' and 'C'), bring them together until the front corners of the cardboard meet and mark with a pencil points 'F' and 'G'.

Step 4

Measure between points 'D' and 'F' and write down as an **exact** measurement.

BLIND TYPE	HEADRAIL DEPTH
Roller - 32mm barrel (for widths of blind up to 2.4m)	7cm
Roller - 40mm barrel (for widths of blind over 2.3m)	8cm
Roman - deluxe headrail	4.5cm
Vertical 89mm	7.5cm
Venetian 25mm	3.5cm
Wood Venetian	8.5cm



Step 5

Measure from point 'E' to across window 'B' and write down as an **recess** measurement.

Step 6

Measure from point 'G' to across window 'C' and write down as an **recess** measurement. (Note: if you have a 'closed' bay window i.e. you have a wall at the end of windows 'B' and 'C' opposite window 'A' you will need to take down the measurements for windows 'B' and 'C' as **recess** measurements).